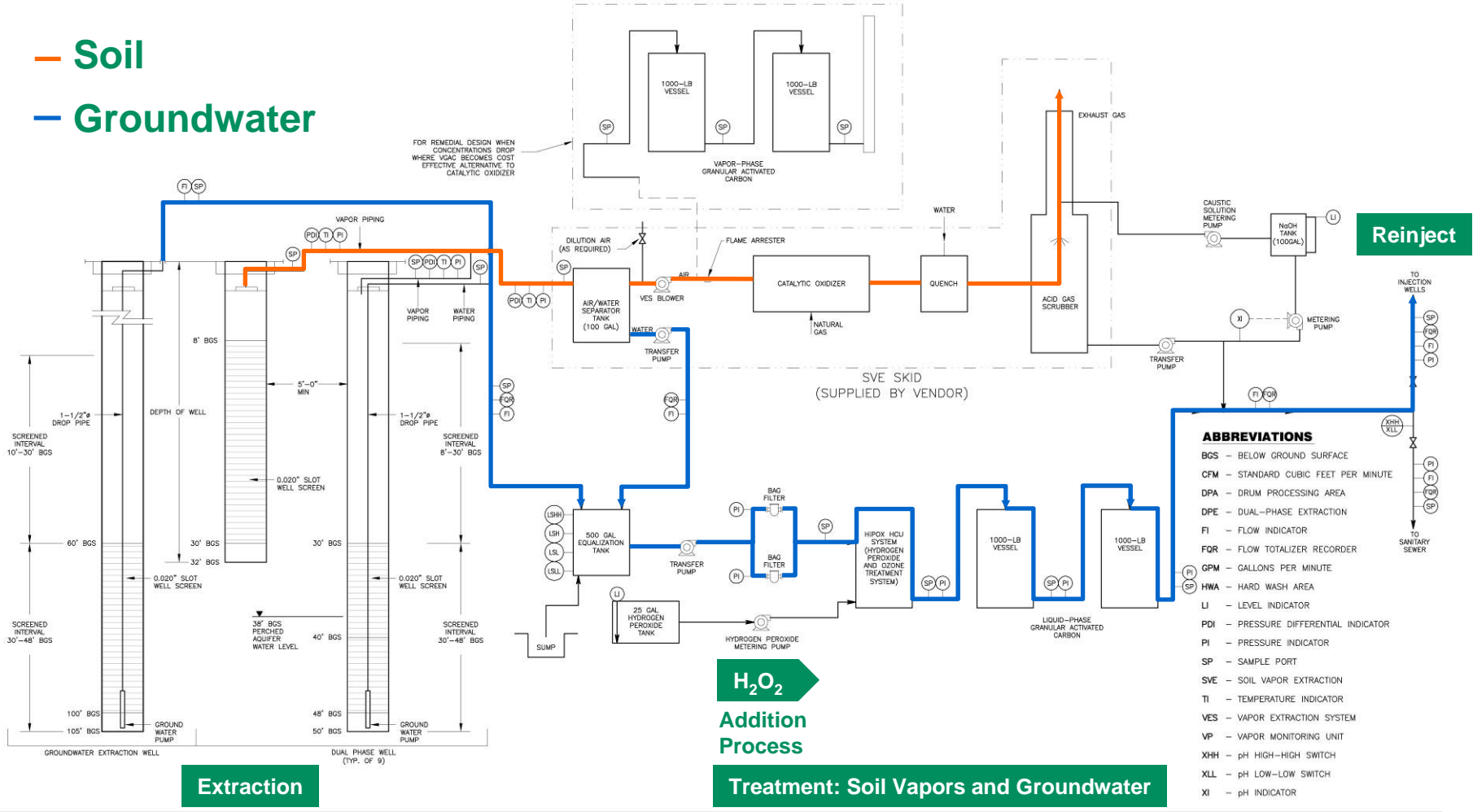


# Soil Gas and Groundwater Process Flow Diagram (OU2)

- Soil
- Groundwater



NO.	DATE	DESCRIPTION	NO.	DATE	DESCRIPTION
REVISIONS					

DESIGNED BY:  
M. WIDMANN  
DRAWN BY:  
D. LARSON  
CHECKED BY:  
N/A

**URS**  
2870 Gateway Center Drive, Ste. 100  
Sacramento, CA 95833 2200  
TEL: (916) 478-2200  
FAX: (916) 478-2000



SOIL REMEDIAL DESIGN  
COOPER DRUM COMPANY SUPERFUND SITE  
8316 SOUTH ATLANTIC AVE., SOUTH GATE  
LOS ANGELES COUNTY, CALIFORNIA 90280

**SIMPLIFIED SOIL GAS AND GROUNDWATER REMEDIATION SYSTEM PROCESS FLOW DIAGRAM**

DATE: N.T.S. DATE: 8/22/2007 DATE: P-1.dwg DATE: P-1